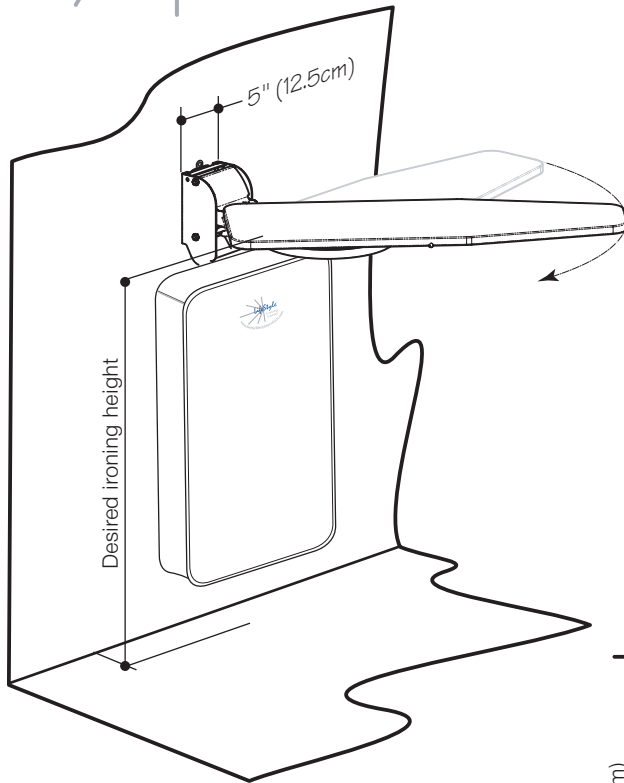


LifeStyle™

Ironing Center

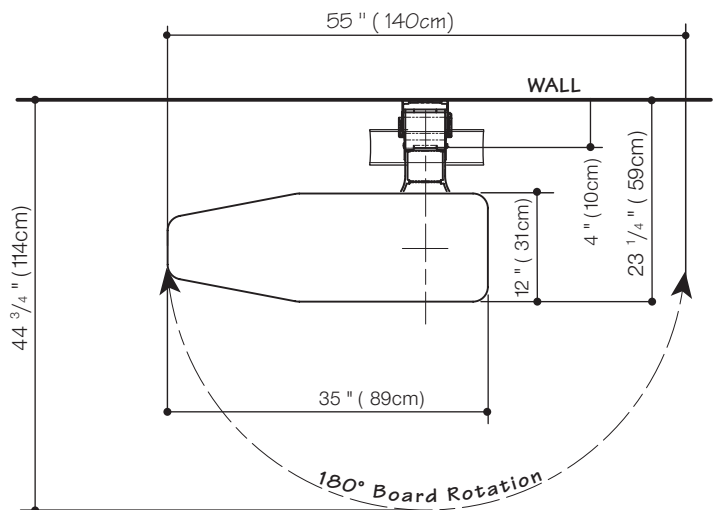
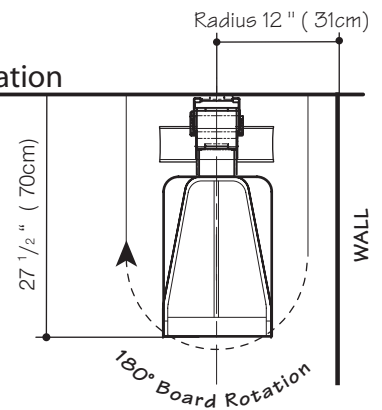
Model OSUM-01



Applications

- Bedrooms
- Bathrooms
- Laundry
- Condos
- Apartments
- Mobile Homes
- Hotels/Motels

Ideal for corner installation



Installation

Requirements;

- Solid surface masonry wall or lined timber frame construction. Instructions, mounting plate and fasteners provided.

Wall Space;

- 55" (140cm) of clear wall space or open room to allow full 180° board rotation.
- Corner installation requires 12" (31cm) of space out from the wall corner to enable mono direction swing.

Construction

- High quality steel construction, steel mesh ironing surface, cloth ironing cover with 'sewn in' 5mm soft pad, high quality cast zinc alloy hinges with engineering grade plastic components.
- All metal components finished in a colored durable powder coat finish.
- Fabric cover.

Product Specifications

- Ironing board surface 35" (89cm) x 12" (31cm).

A - 11/06

email; info@betterlifestyleproducts.com

website; www.betterlifestyleproducts.com