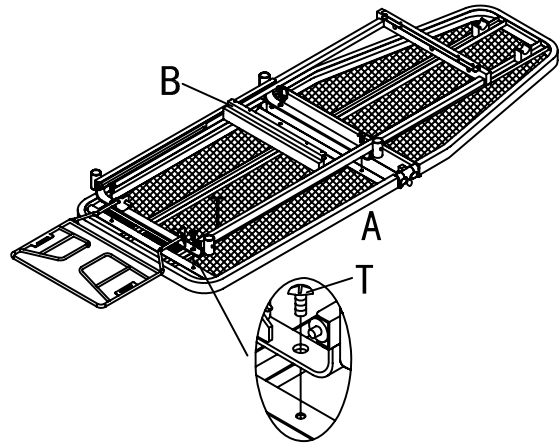
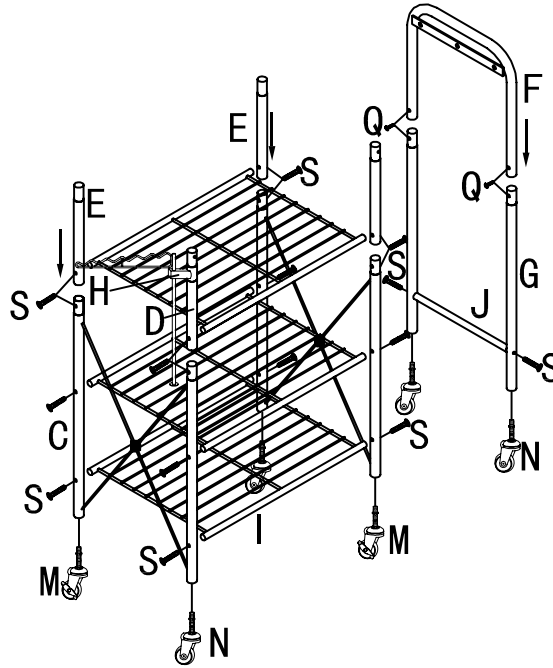


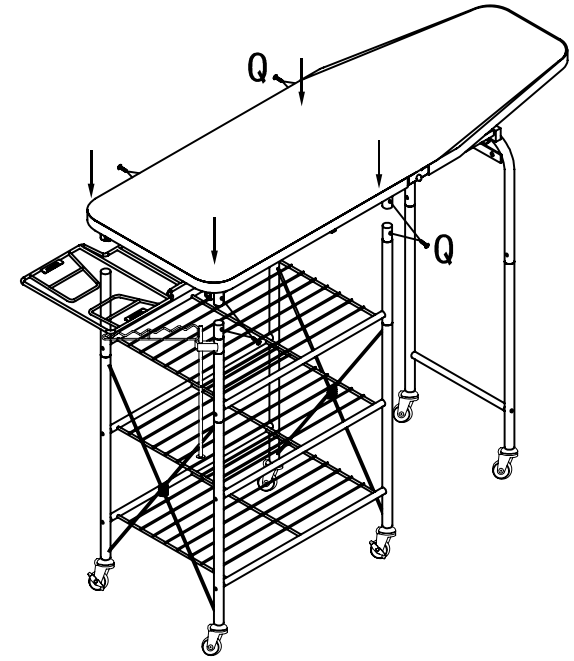
1.



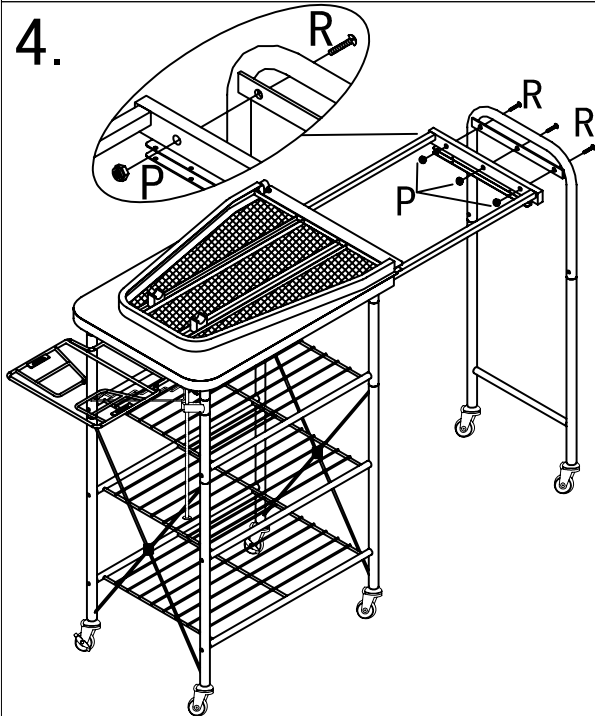
2.



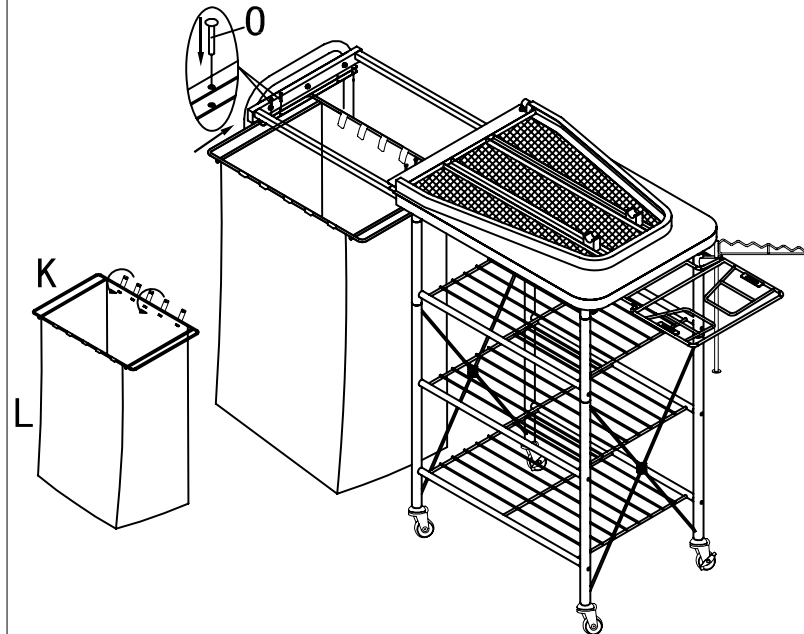
3.



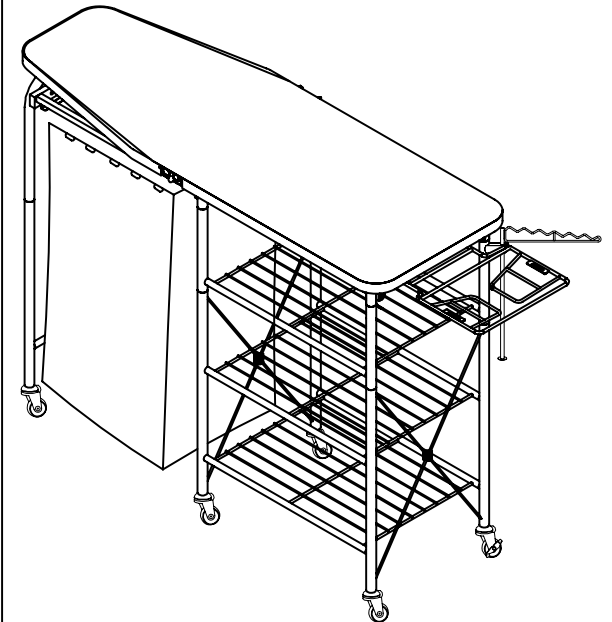
4.

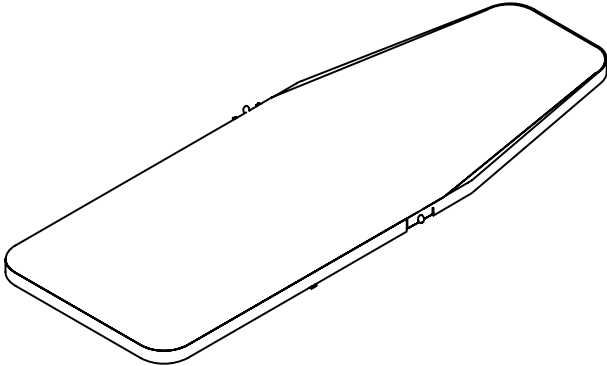
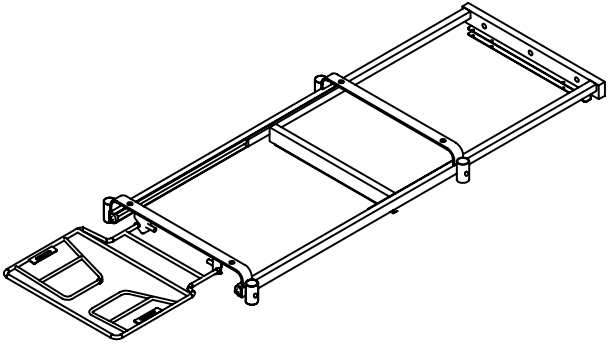
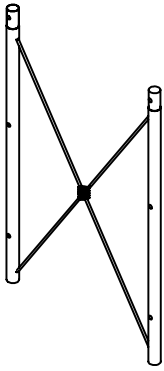

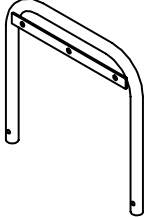
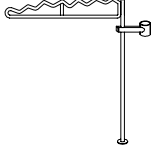
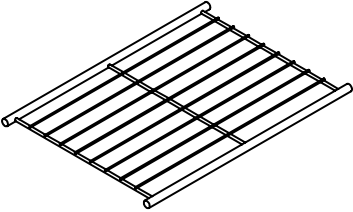
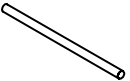
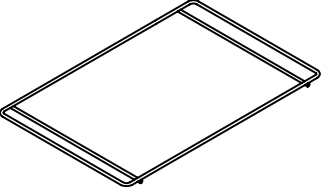
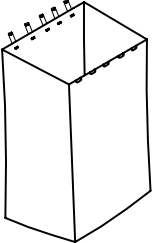


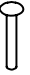

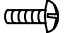
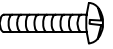
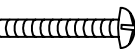
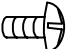


5.



6.



<p>Ax1</p> 	<p>Bx1</p> 		<p>Cx2</p> 	<p>Dx1</p> 	<p>Fx1</p> 		
<p>Hx1</p> 		<p>Ix3</p> 	<p>Jx1</p> 	<p>Kx1</p> 	<p>Lx1</p> 	<p>Mx2</p> 	
<p>Nx4</p> 	<p>Ox4</p> 	<p>Px3</p> 	<p>Qx6</p>  <p>3/16" x 10mm</p>	<p>Rx3</p>  <p>M6 x 21mm</p>	<p>Sx14</p>  <p>M6 x 28mm</p>	<p>Tx4</p>  <p>1/4" x 8mm</p>	<p>Ux1</p> 